

EQACC SOLAR

Install solar panel container site



Overview

Can solar panels be mounted on a shipping container?

Mounting solar panels on a shipping container can be a practical solution for mobile or remote power needs. Below are the general steps and considerations for mounting solar panels on a shipping container, specifically for the models LZY-MSC1 and LZY-MSC3:.

How do you mount solar panels on a shipping container roof?

Mounting solar panels on shipping container roofs or sides requires robust and secure attachment mechanisms. Here are some common methods: Bolted Connections: Utilizing pre-drilled holes in the container's roof or sides, solar panel mounting brackets can be securely bolted to ensure a stable and durable installation.

What is a shipping container solar panel kit?

Typically, a shipping container solar panel kit consists of the following components: Solar Panels: High-quality photovoltaic panels capable of converting sunlight into electrical energy. Mounting and Racking System: Secure structures to mount the solar panels on the container's roof or sides.

How to optimize solar power generation from shipping container installations?

Several factors should be considered to optimize solar power generation from shipping container installations. Adjusting the tilt angle and orientation of solar panels helps maximize sunlight exposure, enhancing energy production.

Install solar panel container site



Shipping Container Solar Panels Installation ...

Shipping container solar panels installation guide with expert tips on mounting, wiring, and maintenance for reliable power.

How to Mount Solar Panels on a Shipping ...

Mounting solar panels on a shipping container can be a practical solution for mobile or remote power needs. Below are the ...



Shipping Container Solar Systems in Remote Locations: An ...

Shipping container solar systems are transforming the way remote projects are powered. These innovative setups offer a sustainable, cost-effective solution for locations ...



Can I run power to a shipping container? Off ...

Mount the solar panels: Install PV modules on the container roof or an adjacent frame. Solar panels on container roofs typically ...



Solar Panels for Shipping Containers

Solar Panels. Solar power kit for shipping container. A plug-n-play solution that can be used as standalone 110v power supply or redundant system with public power. This kit can be ...

Shipping Container Solar

Structural supports for adding solar panels to shipping containers. Kit includes support legs, attachment feet, support rails and clamps.

114KWh ESS



Shipping Container Solar Panels Installation Guide and ...

Shipping container solar panels installation guide with expert tips on mounting, wiring, and maintenance for reliable power.



Solar Panels on Shipping Containers

Key Takeaways Solar panels on shipping containers offer a versatile and cost-effective solution for harnessing renewable energy, providing sustainable power in various ...

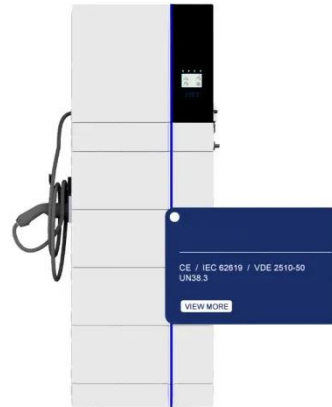


How to Mount Solar Panels on a Shipping Container?

Mounting solar panels on a shipping container can be a practical solution for mobile or remote power needs. Below are the general steps and considerations for mounting ...

Shipping Container Solar Systems in Remote ...

Shipping container solar systems are transforming the way remote projects are powered. These innovative setups offer a ...



Solar Panels for Shipping Containers



Solar Panels. Solar power kit for shipping container. A plug-n-play solution that can be used as standalone 110v power supply or redundant system ...

Solar Panels on Shipping Containers

Key Takeaways Solar panels on shipping containers offer a versatile and cost-effective solution for harnessing renewable energy, ...



Installing Solar Panels on Shipping Containers: How-To & Tips

Thinking of adding solar panels to your shipping container? Learn key considerations, how many panels fit on 20ft and 40ft containers, plus tips and

real-world ...



Using Shipping Containers to Build Solar-Powered Homes

Shipping containers can be converted into solar-powered, self-sufficient homes, ideal for off-grid living and reducing energy costs. This article covers how to install solar panels ...



215kWh

8,000+ Cycles Lifetime

IP54 Protection Degree

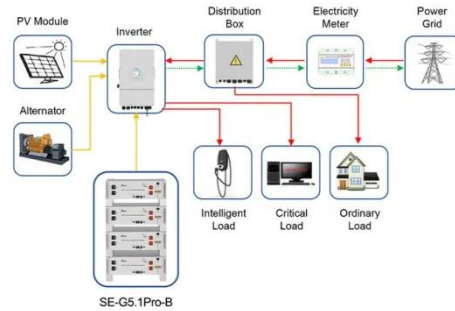


Can I run power to a shipping container? Off-Grid Solar ...

Mount the solar panels: Install PV modules on the container roof or an adjacent frame. Solar panels on container roofs typically require custom mounting hardware.

Installing Solar Panels on Shipping ...

Thinking of adding solar panels to your shipping container? Learn key considerations, how many panels fit on 20ft and 40ft ...



Application scenarios of energy storage battery products



Step-by-Step Guide to Installing Solar Panels on Shipping Container

Learn how to install solar panels on shipping container shops with this step-by-step guide. Save costs and go green with DIY renewable energy solutions.

Contact Us

For catalog requests, pricing, or partnerships, please visit:
<https://eqacc.co.za>