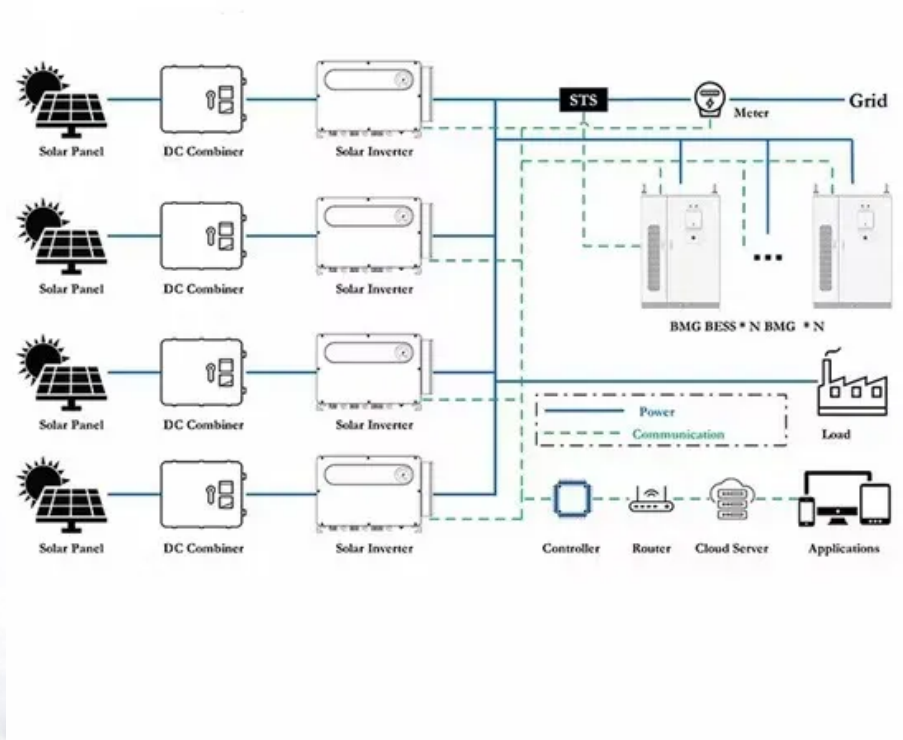


EQACC SOLAR

How to best charge a solar container communication station



Overview

Can you put solar power in a shipping container?

There are many ways to skin a cat, and even more ways to add solar power to a shipping container. To be fair, I cheated a bit. Well, not really cheated, but I just went with a retail solar generator system instead of DIYing that part myself from à la carte components.

How much power does a solar panel use?

With 1,200W of theoretical power (and probably more like 900W of solid real-world Florida solar energy), that would be a decent flow rate. The panels I used are Pecron's folding panels, which aren't really meant for this type of long-term permanent installation.

Do you need a solar-powered off-grid charging shed?

Between my electric bikes, e-motorcycles, e-ATVs, electric tractors, and a few other things I'm probably forgetting, having a weather-sealed, solar-powered off-grid charging shed would be a big benefit.

How can I save money on solar panels?

To save a bit of money instead, you can source your own solar panels, solar charge converter, batteries, inverter, and wiring, then make it all play together. For me and my limited time, an offer from Pecron for a solution that would do all of that for me sounded perfect, so I went with Pecron's system.

How to best charge a solar container communication station

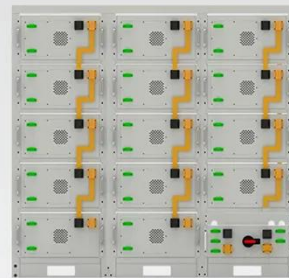


Can I run power to a shipping container? Off ...

A solar-powered container can run lighting, sound systems, medical equipment or communications gear without waiting for grid ...

Can a DC MCB for solar be used in a solar

In conclusion, a DC MCB for solar can be used in a solar - powered communication station, but you need to carefully consider factors such as compatibility, ...



Battery String-S224

- 1C Charge/Discharge
- Easy configuration and maintenance
- Power supply can be single battery string or parallel battery strings



How to Set Up a Mobile Solar Container Effectively

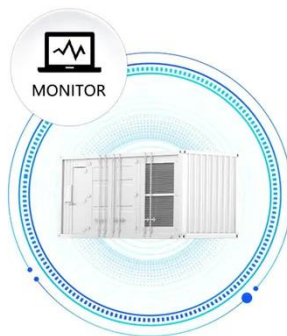
Learn how to set up a mobile solar container efficiently--from site selection and panel alignment to battery checks and EMS configuration. Avoid common mistakes and get ...

Communication base station-solar power ...

Communication base stations located in remote areas can generally only draw electricity from rural power grids, with poor grid stability, long ...



SUPPORT REAL-TIME ONLINE
MONITORING OF SYSTEM STATUS



Solar Power Supply Systems for Communication Base ...

With continuous technological advancements and further cost reductions, solar power supply systems for communication base stations will become one of the mainstream power supply ...

How I turned a shipping container into a solar off-grid ...

Between my electric bikes, e-motorcycles, e-ATVs, electric tractors, and a few other things I'm probably forgetting, having a weather-sealed, solar-powered off-grid charging ...



Shipping Container Solar Systems in Remote ...

Shipping container solar systems are transforming the way remote projects are powered. These innovative setups

offer a ...



How I turned a shipping container into a solar off-grid charging

But I'm generating way more solar power than I can possibly use in this off-grid container, and so peak efficiency is less important to me. For this cheap portable unit, I had to ...



Discharge rate of solar container battery in communication base station

Communication Base Station Backup Power LiFePO4 Supplier , Grepow In this paper we present a model to estimate the overall battery lifetime for a solar powered cellular base station with a ...

How to Set Up a Mobile Solar Container ...

Learn how to set up a mobile solar container efficiently--from site selection and panel alignment to battery checks

and EMS ...



Sample Order
UL/KC/CB/UN38.3/UL



Can I run power to a shipping container? Off-Grid Solar ...

A solar-powered container can run lighting, sound systems, medical equipment or communications gear without waiting for grid hookups. Off-grid living and clinics: Even homes ...

How I turned a shipping container into a solar off-grid charging

Between my electric bikes, e-motorcycles, e-ATVs, electric tractors, and a few other things I'm probably forgetting, having a weather-sealed, solar-powered off-grid charging ...



Solar Power Supply System For Communication Base ...

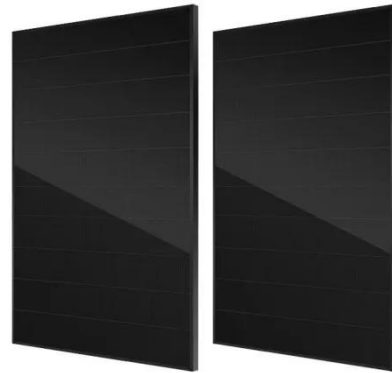
The solar power supply system for communication base stations is an innovative solution that utilizes solar photovoltaic power generation

technology to provide electricity for communication ...



Communication base station-solar power supply solution ...

Communication base stations located in remote areas can generally only draw electricity from rural power grids, with poor grid stability, long transmission lines, poor reliability of power ...



Shipping Container Solar Systems in Remote Locations: An ...

Shipping container solar systems are transforming the way remote projects are powered. These innovative setups offer a sustainable, cost-effective solution for locations ...

Contact Us

For catalog requests, pricing, or partnerships, please visit:
<https://eqacc.co.za>