

EQACC SOLAR

Base station solar solar container communication station flywheel energy storage



Overview

What is the Dinglun flywheel energy storage power station?

The Dinglun Flywheel Energy Storage Power Station, the World's Largest Flywheel Energy Storage Project, represents a significant step forward in sustainable energy. Its role in grid frequency regulation and support for renewable energy will help stabilize power systems as China continues to increase its reliance on wind and solar energy.

What is a high-speed magnetic levitation flywheel storage system?

This flywheel storage system, developed by Shenzhen Energy Group with technology from BC New Energy, consists of 120 high-speed magnetic levitation flywheel units. These units are designed to store energy in the form of kinetic energy by spinning flywheels at high speeds.

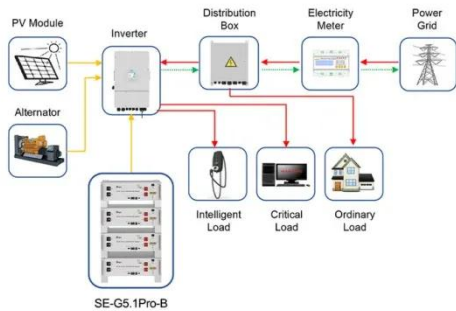
Which country has the largest flywheel energy storage system?

Previously, the largest flywheel energy storage system was the Beacon Power flywheel station in Stephentown, New York, with a capacity of 20 MW. Now, with Dinglun's 30 MW capacity, China has taken the lead in this sector. Flywheel storage technology offers several advantages over conventional energy storage methods.

What are the advantages and disadvantages of flywheel storage technology?

Flywheel storage technology offers several advantages over conventional energy storage methods. It has a higher energy density and longer lifespan compared to lithium-ion batteries. Moreover, flywheels have a lower environmental impact since they do not use toxic chemicals and can maintain operational efficiency for 20-30 years.

Base station solar solar container communication station flywheel e



Application scenarios of energy storage battery products

Integrated Solar-Wind Power Container for Communications

This large-capacity, modular outdoor base station seamlessly integrates photovoltaic, wind power, and energy storage to provide a stable DC48V power supply and optical distribution. Perfect ...

Wind-solar hybrid for outdoor communication base ...

Integrated Solar-Wind Power Container for Communications This large-capacity, modular outdoor base station seamlessly integrates photovoltaic, wind power, and energy ...



Revolutionising Connectivity with Reliable Base Station Energy Storage

Discover how base station energy storage empowers reliable telecom connectivity, reduces OPEX, and supports hybrid energy.

China Connects World's Largest Flywheel ...

The Future of Energy Storage The Dinglun Flywheel Energy Storage Power Station, the World's Largest Flywheel Energy Storage ...

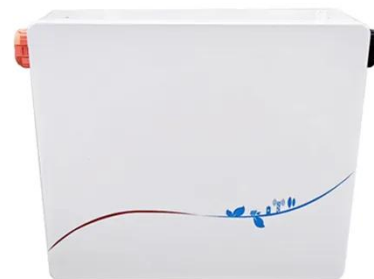


Base Station Energy Storage

Highjoule powers off-grid base stations with smart, stable, and green energy. Highjoule's site energy solution is designed to deliver stable and reliable power for telecom base stations in off ...

China Connects World's Largest Flywheel Energy Storage ...

The Future of Energy Storage The Dinglun Flywheel Energy Storage Power Station, the World's Largest Flywheel Energy Storage Project, represents a significant step ...



Base station energy storage expert , EK Solar Energy

EK Solar Energy provides professional base station energy storage solutions, combined with high-efficiency photovoltaic energy storage technology,



to provide stable and reliable green energy ...

Site Energy Revolution: How Solar Energy ...

Discover how solar energy is reshaping communication base stations by reducing energy costs, improving reliability, and boosting ...



Site Energy Revolution: How Solar Energy Systems Reshape Communication

Discover how solar energy is reshaping communication base stations by reducing energy costs, improving reliability, and boosting sustainability. Explore Huijue's solar solutions ...

Energy Storage for Communication Base

The one-stop energy storage system for communication base stations is specially designed for base station energy

storage. Users can use the energy storage system to discharge during ...



Base Station Energy Storage

Highjoule powers off-grid base stations with smart, stable, and green energy. Highjoule's site energy solution is designed to deliver stable and reliable ...

How to develop flywheel energy storage for ...

Page 1/10 Solar Storage Container Solutions How to develop flywheel energy storage for communication base stations Powered by Solar Storage Container Solutions Page ...



Communication Base Station Energy Storage Systems

Powering Connectivity in the 5G Era: A Silent Energy Crisis? As global 5G deployments surge to 1.3 million sites in 2023, have we underestimated the

energy storage demands of modern ...



Contact Us

For catalog requests, pricing, or partnerships, please visit:
<https://eqacc.co.za>